

Water Treatment



Engineering & Construction

IS Single Softeners

OVERVIEW

Softening using ion-exchange resins maintains Calcium and Magnesium Salts (that determine the hardness of water) with the release in water of Sodium Salts in substitution. The resins softening does not substantially modify the saline contents, but the saline composition. The hardness of water is responsible for the formation of crusts on piping or on the equipment crossed by the water (heat exchanger, boilers, cooling towers, etc.). The IS softeners work independently. The regeneration is allowed by a turbine calibrated for a specific cyclic capacity according to the hardness of water to be treated and to other parameters, or by a timer. When the resin can no longer exchange Sodium salts with Calcium Salts, it means that its exchange capacity runs out. The resin is regenerated by a Sodium chloride non-saturated solution (brine). Depending on the regeneration level provided for (NaCl grams per resin litre), the resin has different exchange capacities: higher is the regenerative level, higher will be the exchange capacity. But the increase of the exchange capacity isn't directly proportional to the increase of the chosen regenerative level.

The IS softeners are used in industrial, civil and hospital fields. They guarantee reliability, safety, life, especially under their simplicity and tested application.

CHOISE OF A SOFTENER

Cycle values in Technical Data Schedule refer to a conventional hardness of 1°F (1°F is equivalent to 10 mg/l expressed as CaCO₃).

Here follows the procedure required for the choice of the softener (single):

- To know the hardness of water to be treated;
- To fix the cycle, i.e. the quantity of water can cross the softener before of the resins exhaustion, also according to the regenerative level of the chosen salt;
- To multiply the hardness value in °F by the above fixed quantity of cyclic water;
- The outcome found must be included in two cycle values in the Schedule;
- To check the model of chosen softener is able to supply the required water delivery.

FILTERING MATERIAL

- The filtering bed is composed by quartziferous sand supporting the resins bed.
- Strong cationic resins bed, sodic cycle, food purpose

OPZIONI

- Time or volume regenerative control.
- Hard water mixing system.
- Resin disinfection system.

OPERATING DATA

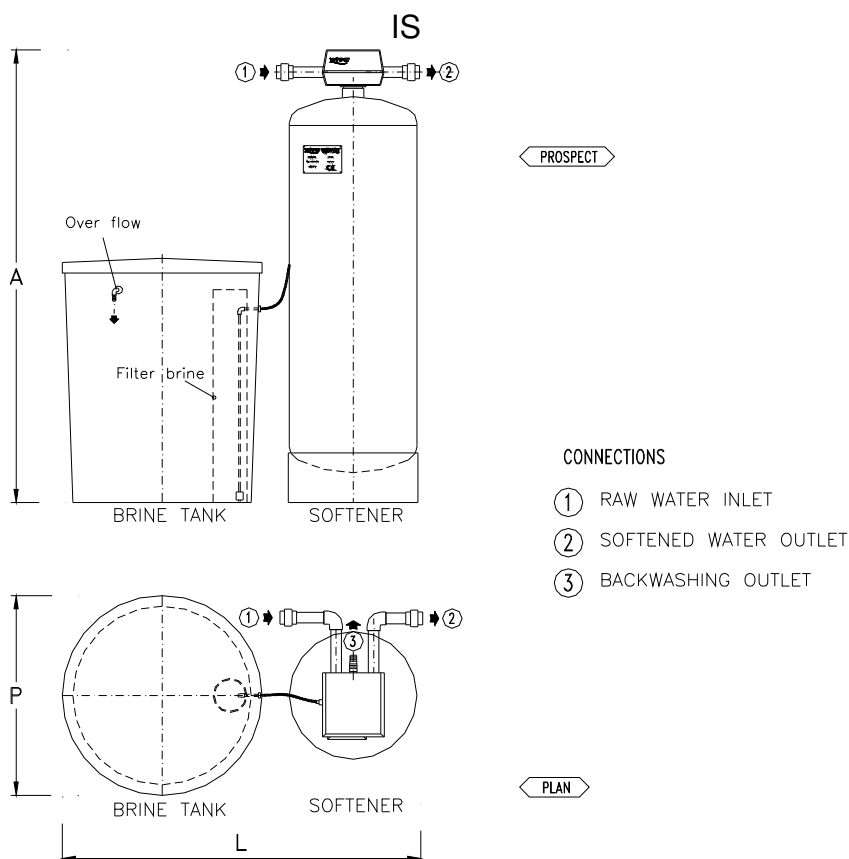
➤ Operating pressure min/max	2,5/5	bar
➤ Project/testing pressure	5/7,5	bar
➤ Backwashing pressure	1,5	bar
➤ Water temperature range	3÷40	°C
➤ Electric power voltage/frequency	220/50	V/Hz
➤ Electric absorption	20	W
➤ Load losses with (read values at pressure gauges) medium/high flow	0,3/1,2	bar

CONSTRUCTION

- Fiberglass tank
- Water distribution system: the lower distributor is composed by a suitable distributor with calibrated PVC/PP holes. On the upper part there is an under-valve filter with calibrated structure.
- Automatic valve for water distribution during working and backwashing phases
- Brine suction ejector
- Tank/s for salt complete with brine filter/s
- Brine valves
- Counter-litre turbine.

APPLIANCE

- Tap water softening
- Well water softening
- In industrial field (laundries, vapour generators supply, cooling towers supply, etc)
- In civil field (potabilization, large condominial boilers supply)
- In hospital field (thermal power plant supply, etc.)



TECHNICAL DATA

Model	Flow rate	
	Nominal	Max
	m ³ /h	m ³ /h
IS 20	0,5	0,6
IS 25	0,65	0,70
IS 40	1	1,1
IS 50	1,25	1,35
IS 60	1,5	1,65
IS 70	1,75	1,9
IS 100	2,5	2,75
IS 150	3,75	4,15
IS 200	5	5,45
IS 250	6,25	6,8

- NB:**
- For constructional reasons dimensions and weights are not binding.
 - The company holds the right to modify the technical and aesthetic characteristics of each equipment.
 - Flow rates are calculated in accordance with a hardness water of 25°F.

WTEC S.r.l.

Administration Office : Via Caposele, 51/B – 70059 Trani (BA) – Italy – Tel +39 (0)883 485884 Fax +39 (0)883 403232
Engineering and Factory : Via C. Battisti, 35 – 35010 Limena (PD) – Italy – Tel +39 (0)49 8841708 Fax +39 (0)49 8846402
http:// www.wtec.it e-mail: info@wtec.it

Organization with quality management system certified by Dasa-Rägister S.p.A.
in compliance with ISO 9001 (2000)
